

Holmatro Next-Gen Pentheon Door Ram PDR200

Unrivaled Performance | Superior Usability



Product Overview

Battery-powered double-acting Pentheon door ram. Designed for breaching inward opening doors with multiple locks. Also suitable for outward opening doors, when used in combination with a manual breaching tool.

Key Features

- Highly capable
- Ease of placement
- Enhanced safety for the operator
- Unparalleled speed for faster operations
- Ultimate speed control for more controlled tool handling
- Guaranteed maximum power during a tool's entire lifespan
- Battery management made easy
- Superb ergonomics for effortless handling
- Continue your mission under all conditions
- Realtime tool insights to adapt and change tactics
- Automatically keep your tools in perfect condition
- Effortless tool maintenance

Unrivaled Performance

When you explore the power of Pentheon, you will have the fastest and most advanced tools in the world. Whether you need speed, precision or durability, Pentheon always delivers an extraordinary level of performance. Enabling you in making every rescue operation successful.

Superior Usability

Combining flawless performance with first-class handling has always been one of Pentheon's main goals. The tools must be an extension of you, the first responder. Holmatro's next-gen Series forms no exception to this mission. No matter the challenge, Pentheon's ergonomic design gives you the upper hand in taking it on effortlessly.

Advanced Connectivity

Holmatro leads the way in implementing technological innovations. With the undeniable importance of smart products and connectedness in mind, the next-gen Pentheon Series is packed with connectivity features such as Bluetooth® and a dedicated app.

Exceptional Serviceability

An unmatched uptime is one of the key elements in experiencing unrestrained performance for every mission. To ensure that you can keep on going, we offer the highest level of serviceability on the market. And if you or your asset manager can't perform a tune-up, our technicians most certainly can.



www.frsa.com.au | admin@frsa.com.au | + 61 7 3209 7422

Holmatro Next-Gen Pentheon Door Ram PDR200

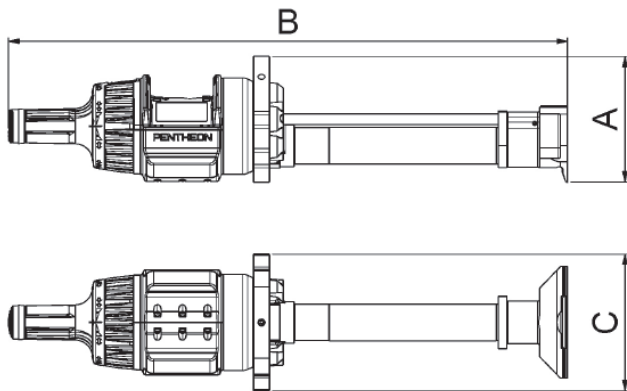
Unrivalled Performance | Superior Usability



Specifications		
Article number		151.004.496
Model		PDR200
Short description		Door Ram
Max. working pressure	bar/Mpa	720 / 72
Battery included		No
Connectivity, mobile app		Bluetooth
Spreading stroke	mm	300
Retracted length	mm	802
Extended length	mm	1102
Spreading force over full stroke	kN/t	71 / 7.2
Protection rate		IP57
Sound emission @ 1m/3.25ft	dB(A)	77
Sound emission @ 4m/13ft	dB(A)	68
Required oil content (effective)	cc	265
Hydraulic oil type		ISO-L HV VG 36
Temperature range	°C	-20 +55
Dimensions (AxBxC)		180 x 802 x 196
Weight, ready for use (incl. battery)	kg	14.2
Weight (excl. battery)	kg	12.6

Safety Factors / Tests	
Hydraulic safety factor	2:1
Endurance test tool	1000 cycles of spreading while the tool is loaded
Endurance test dead man's handle	6000 cycles

Required Accessories	
Battery Charger PBCH1 (AC-EU)	151.000.629
Battery Charger PBCH4 (AC-JP)	151.000.630
Battery Charger PBCH5 (AC-UK)	151.000.631
Battery Charger PBCH3 (DC)	151.000.632
Battery Charger PBCH2 (AC-US)	151.000.742
Battery Charger PBCH6 (AC-KR)	151.001.209
Battery Charger PBCH7 (AC-CN)	151.001.518
Battery Charger PBCH8 (AC-IN)	151.001.519
Battery PBPA288	151.004.490
Battery PBPA288 (CN)	151.004.491



www.frsa.com.au | admin@frsa.com.au | + 61 7 3209 7422